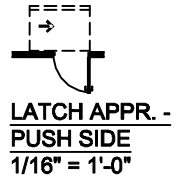
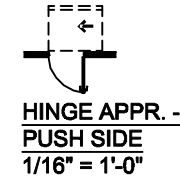
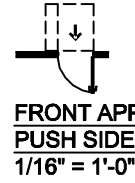
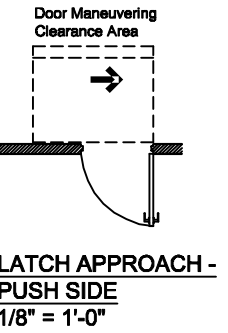
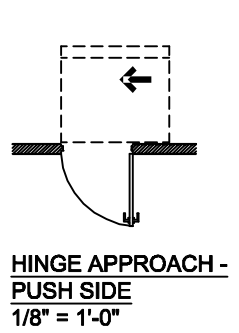
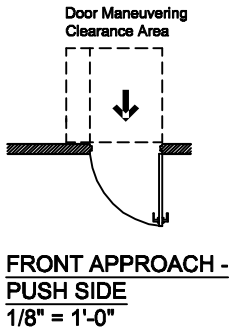
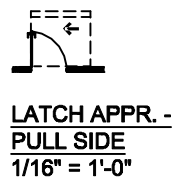
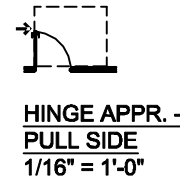
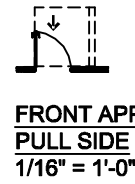
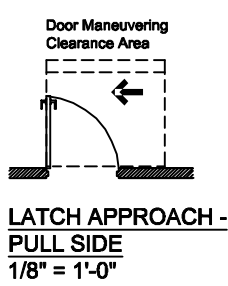
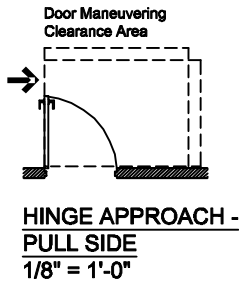
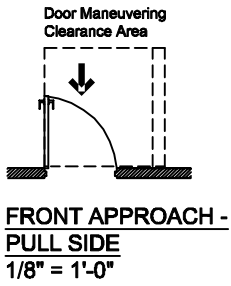


# 2010 ADA Standards - Plan Review Tools - Doors - 1 of 2

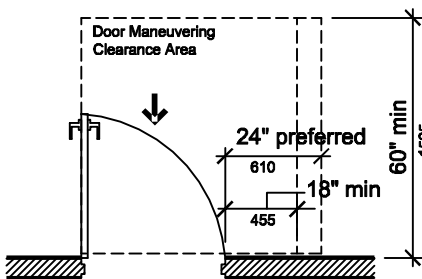


**NOTE: some State requirements are more stringent than the ADA Standards - verify requirements in your State**

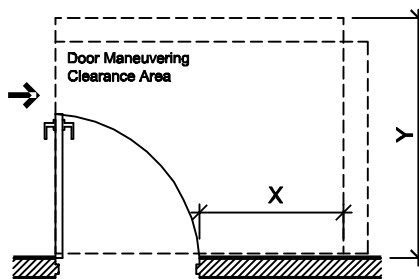


Actual Size Graphic Scale

## 2010 ADA Standards

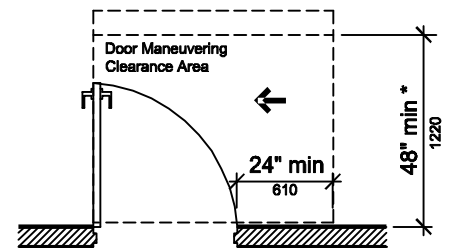


**FRONT APPROACH - PULL SIDE**  
1/4" = 1'-0"



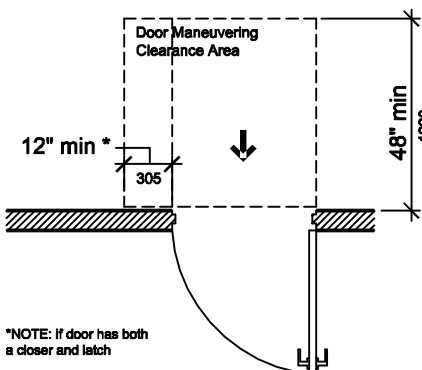
\*NOTE: X = 36" (915 mm) minimum if Y = 60" (1525 mm);  
X = 42" (1065 mm) minimum if Y = 54" (1370 mm)

**HINGE APPROACH - PULL SIDE**  
1/4" = 1'-0"



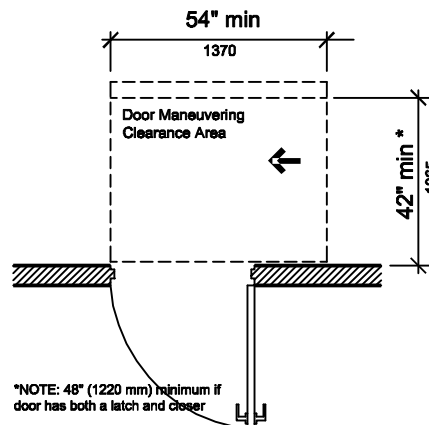
\*NOTE: 54" (1220 mm) minimum if door has closer

**LATCH APPROACH - PULL SIDE**  
1/4" = 1'-0"



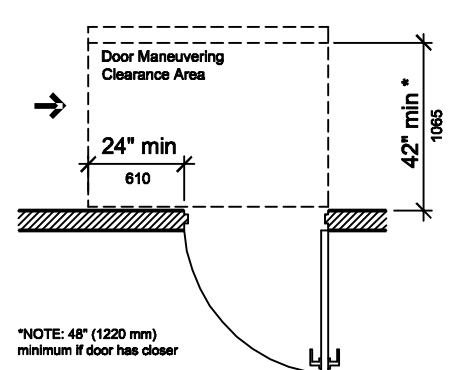
\*NOTE: If door has both a closer and latch

**FRONT APPROACH - PUSH SIDE**  
1/4" = 1'-0"



\*NOTE: 48" (1220 mm) minimum if door has both a latch and closer

**HINGE APPROACH - PUSH SIDE**  
1/4" = 1'-0"



\*NOTE: 48" (1220 mm) minimum if door has closer

**FRONT APPROACH - PUSH SIDE**  
1/4" = 1'-0"